

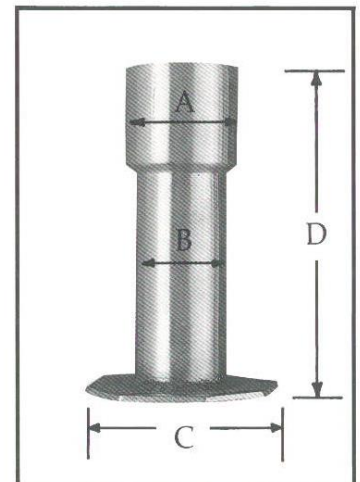
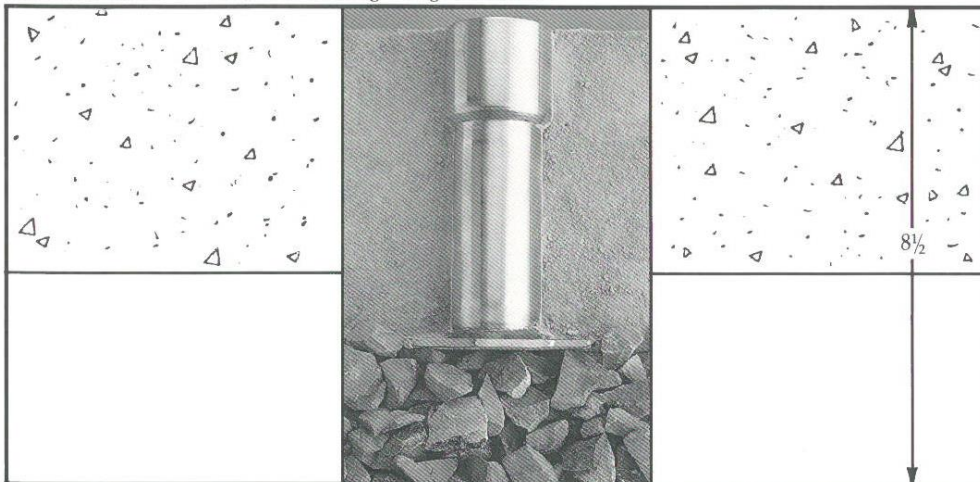
Collapsible Thatch Umbrella Quick-Coupling Stanchion Base Installation

- Drill hole a minimum of 8 1/2" deep and through slab using a core drill. Base dimensions and its intended use should be used to determine appropriate core drill diameter.
- Tightly pack rock filler in hole until base rests flush and level with ground surface. Extra care should be taken when installing umbrella stand base to ensure true vertical positioning.
- Pour concrete or equivalent into hole around base. Concrete must be compatible for proper bonding of replacement concrete to surrounding slab.

Note: Installation must be performed by a qualified contractor and inspected to ensure base is secure.

GROUND LINE

Patented Locking Design 5,337,989



Legend:

A – 3"

B – 2 1/2"

C – 4"

D – 7 1/8"